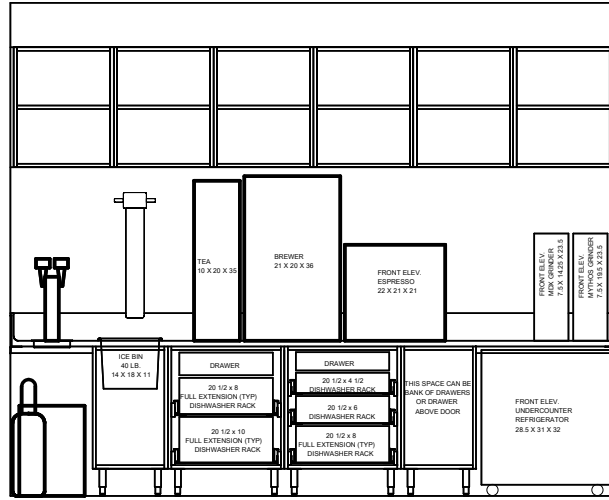
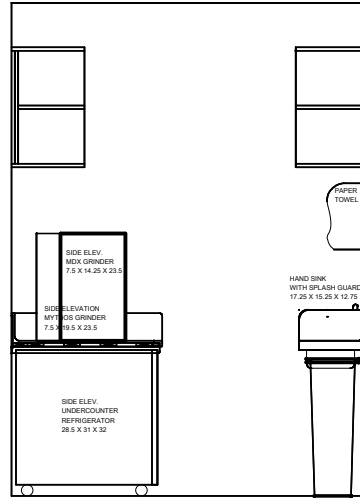


NORTH ELEVATION



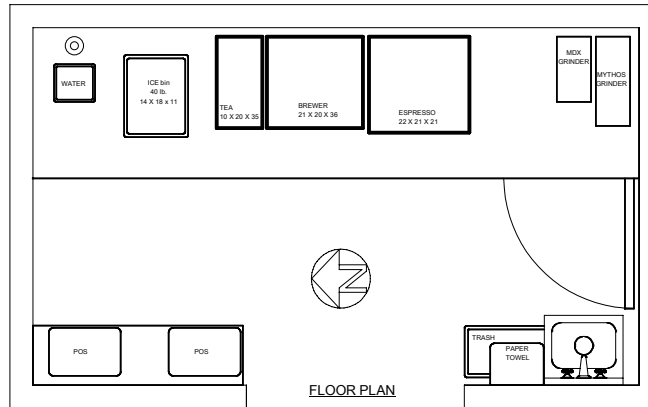
EAST ELEVATION



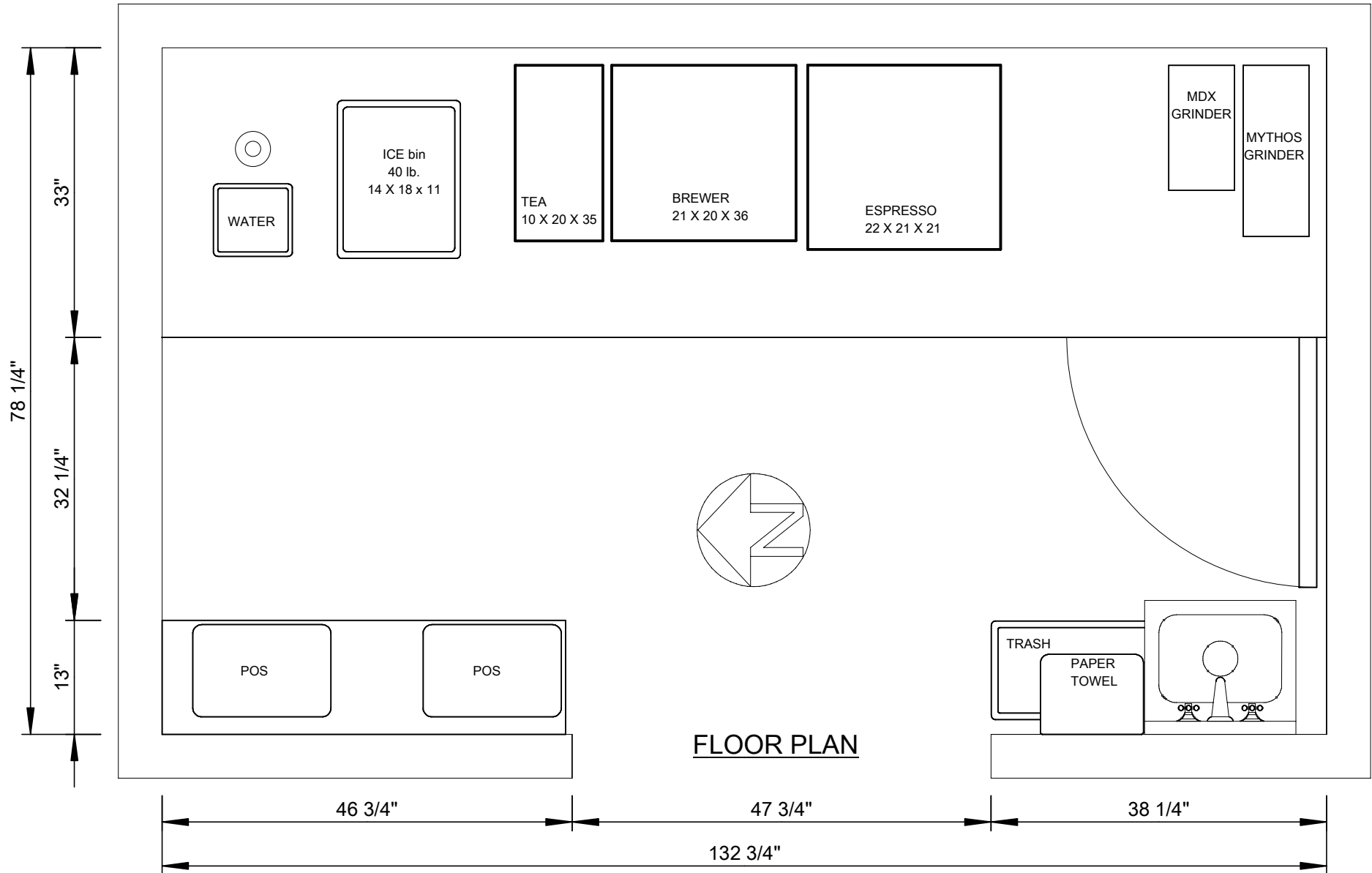
SOUTH ELEVATION



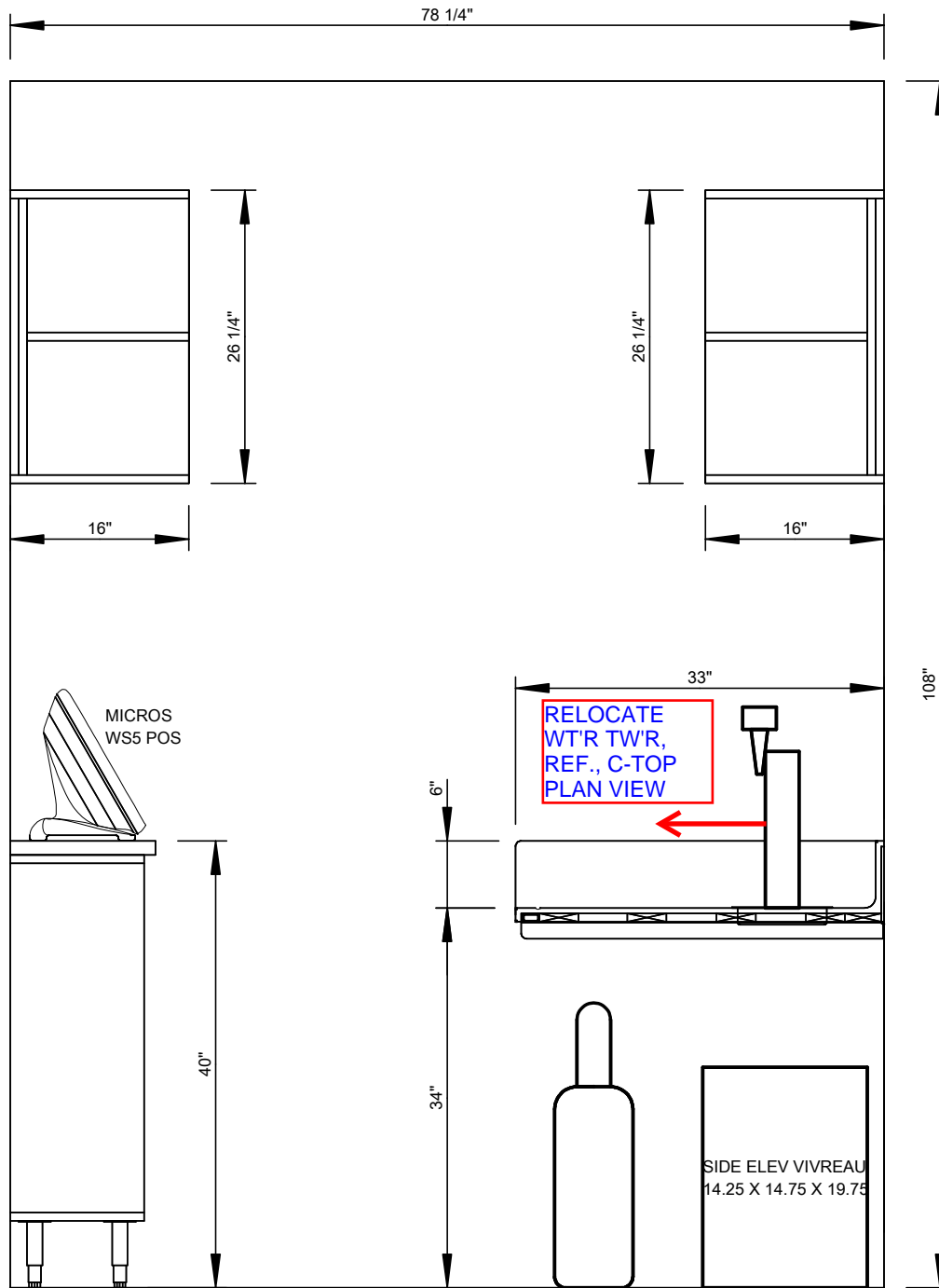
WEST ELEVATION



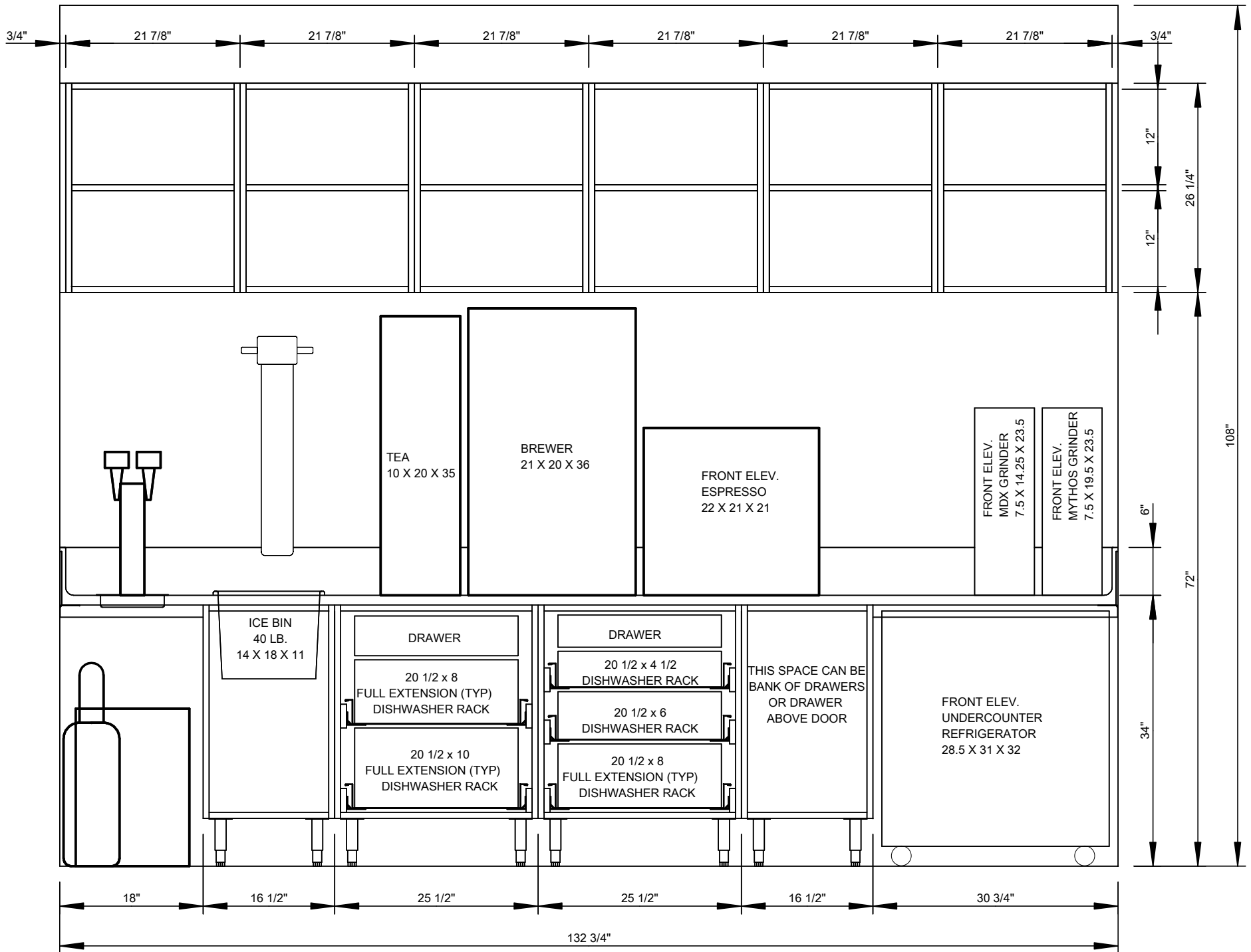
FLOOR PLAN



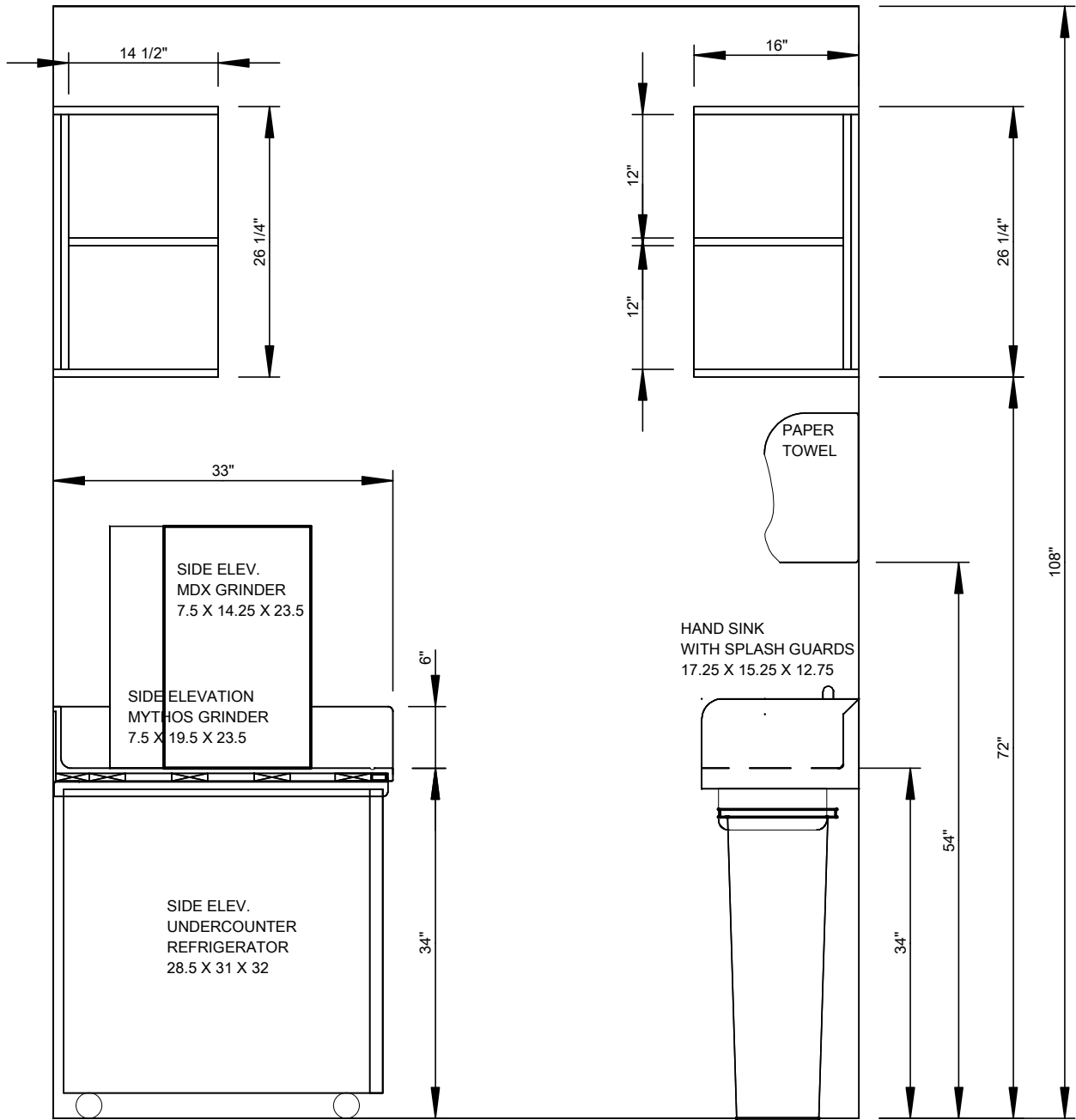
FLOOR PLAN



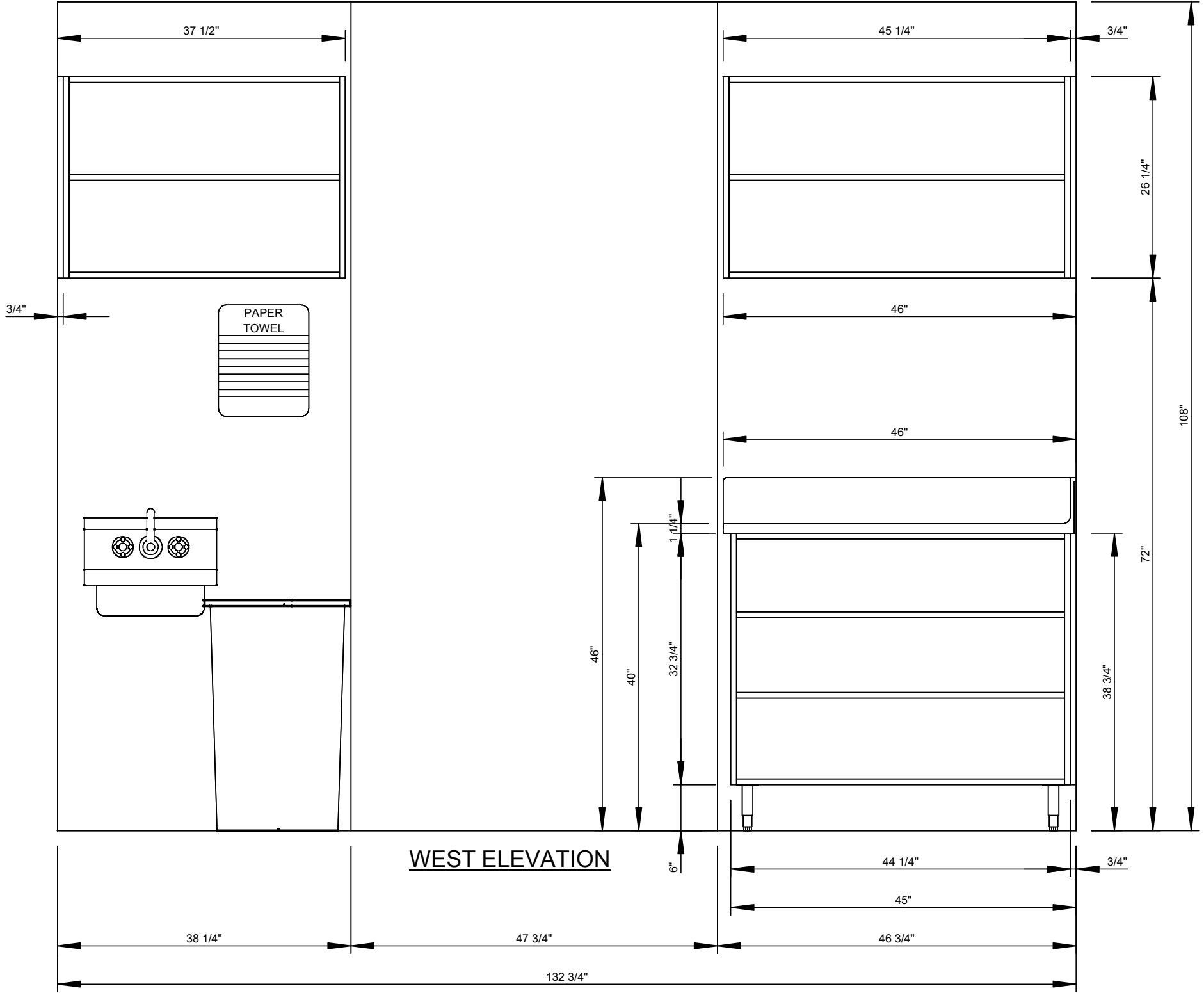
NORTH ELEVATION

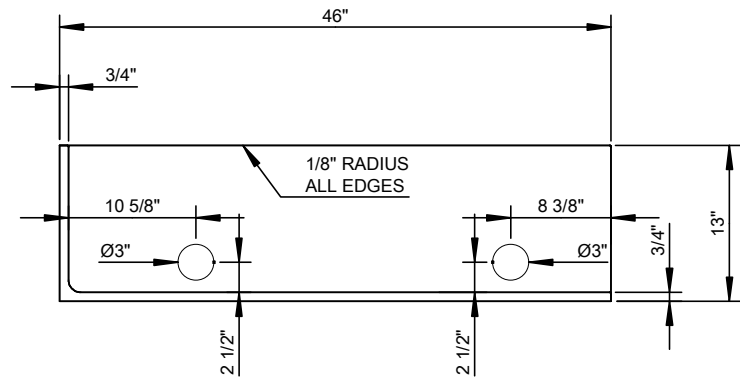
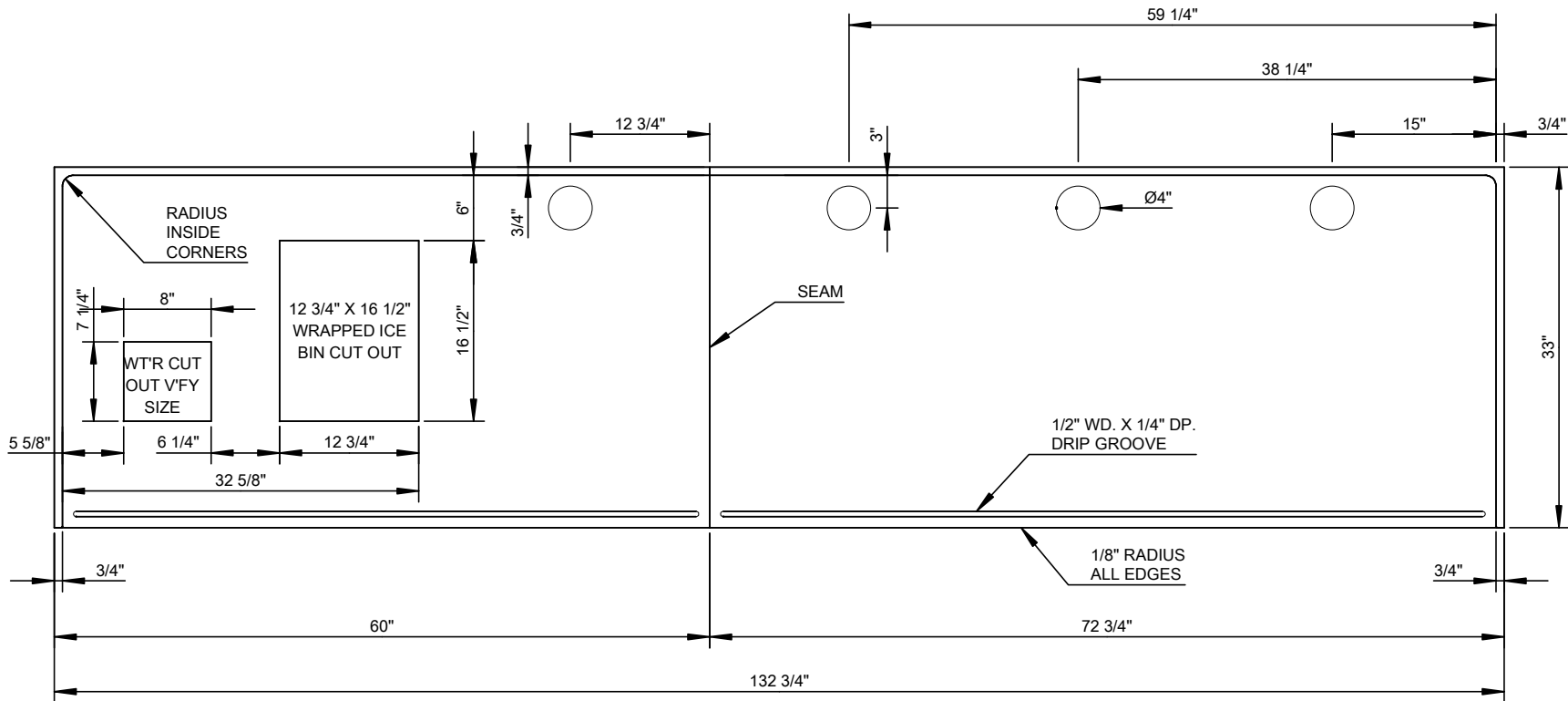


EAST ELEVATION

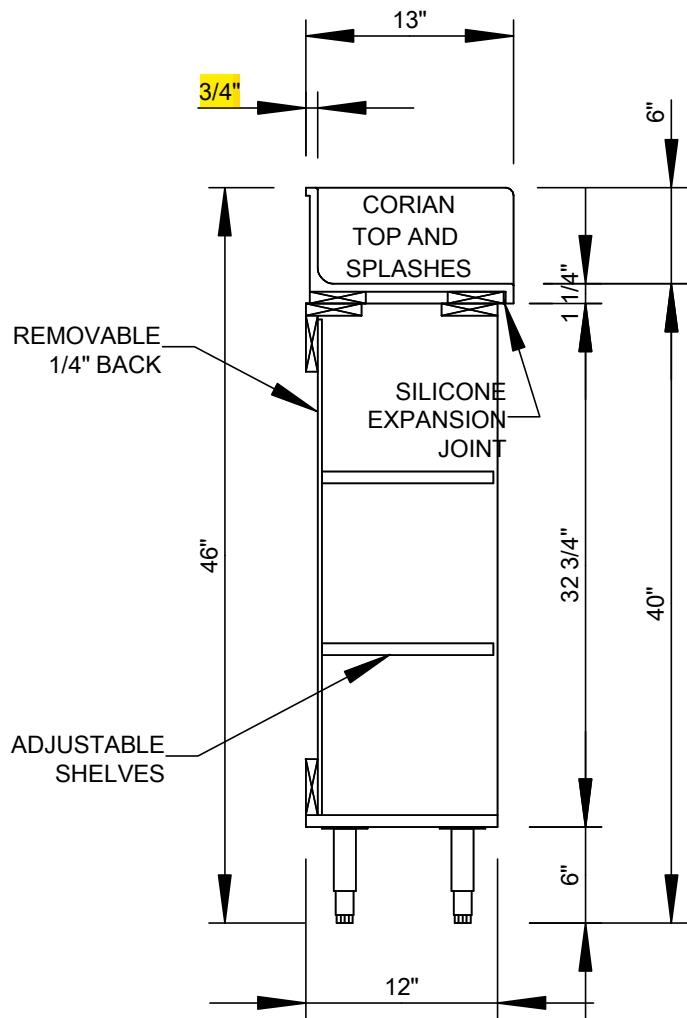


SOUTH ELEVATION

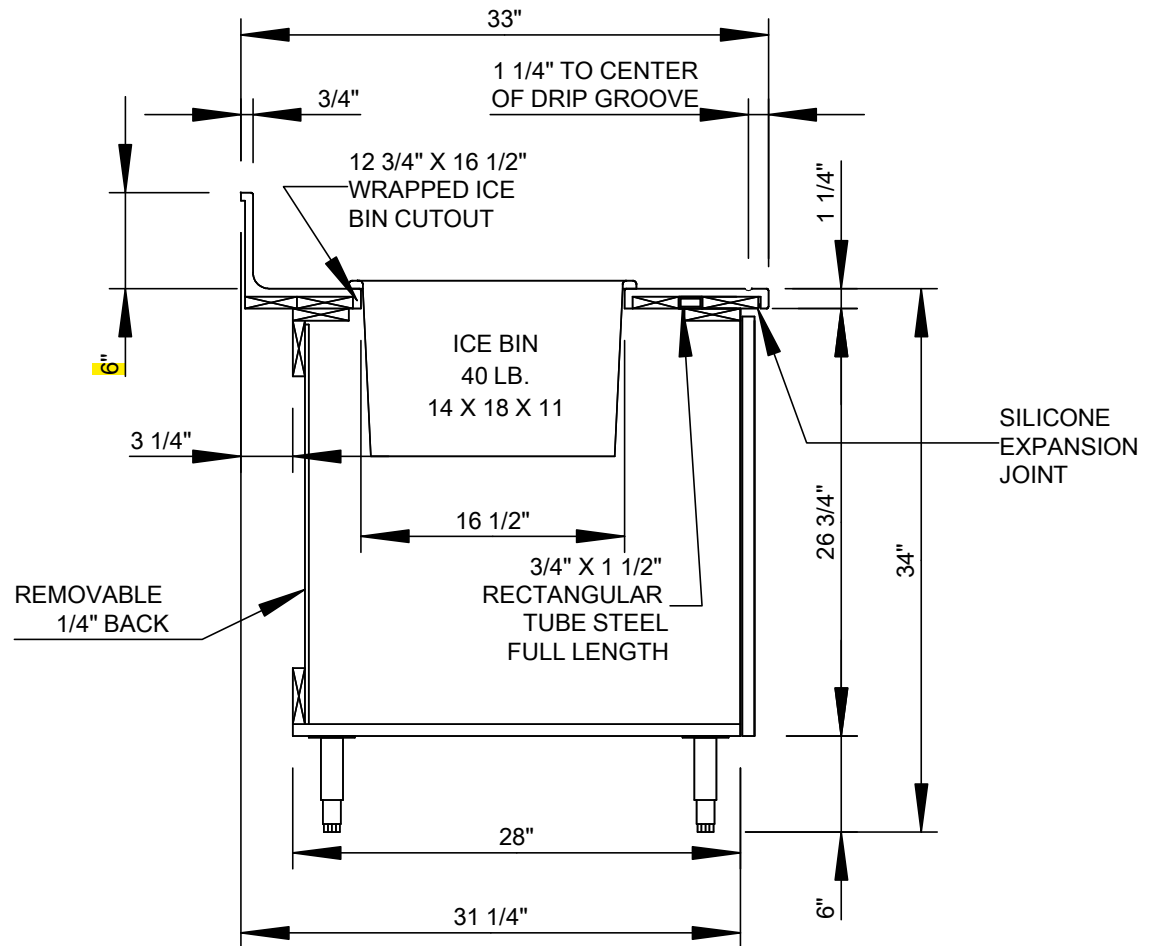




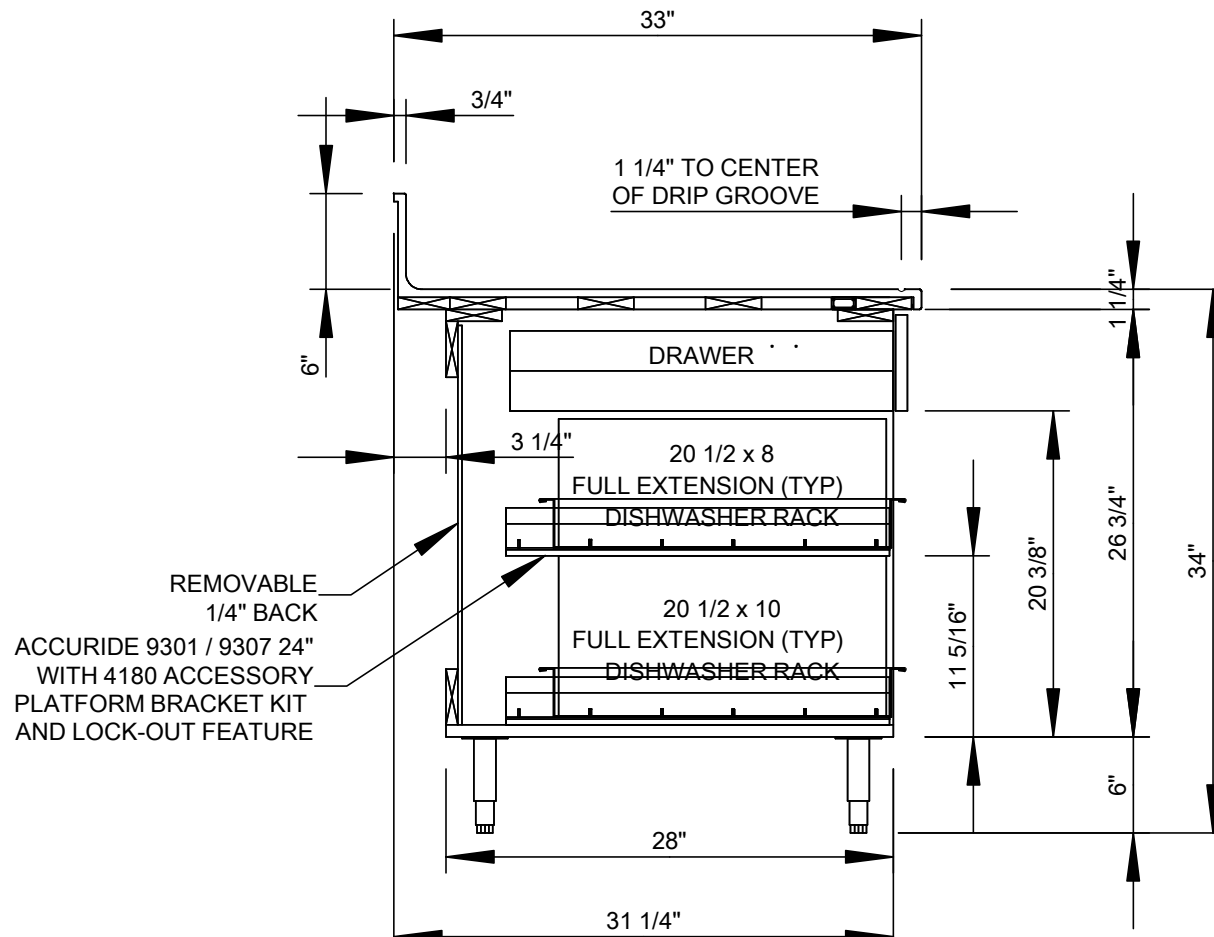
COUNTERTOP PLAN



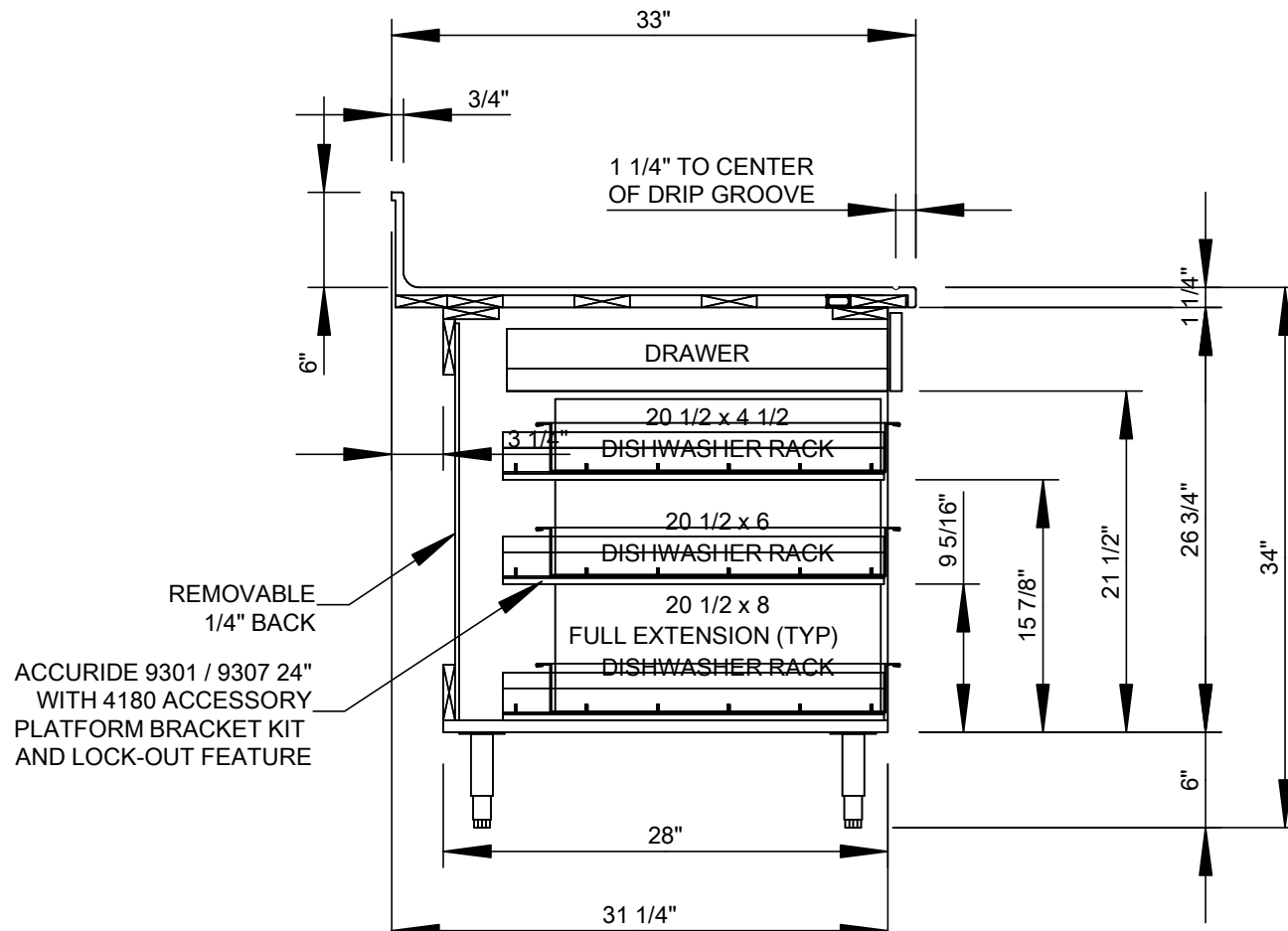
POS CABINET - WEST ELEVATION



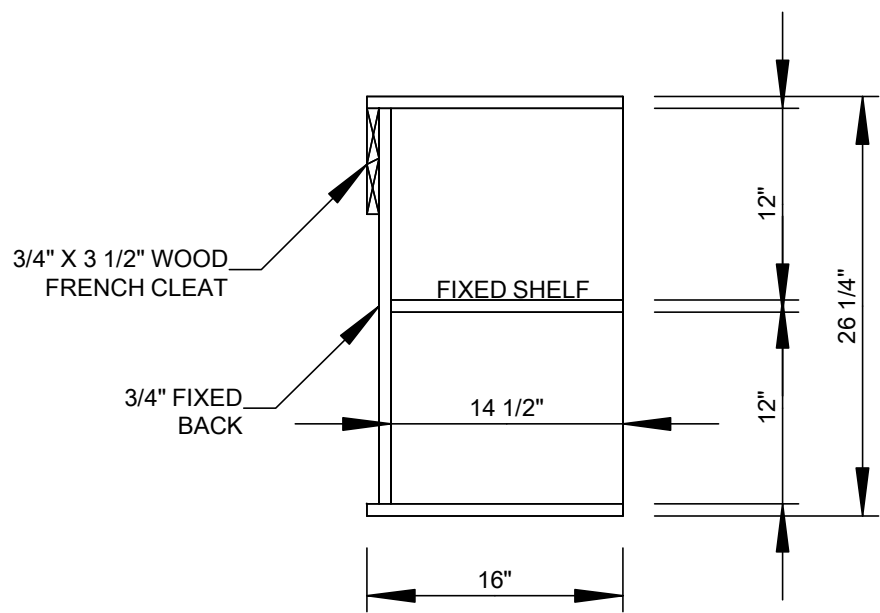
ICE BIN CABINET - EAST ELEVATION



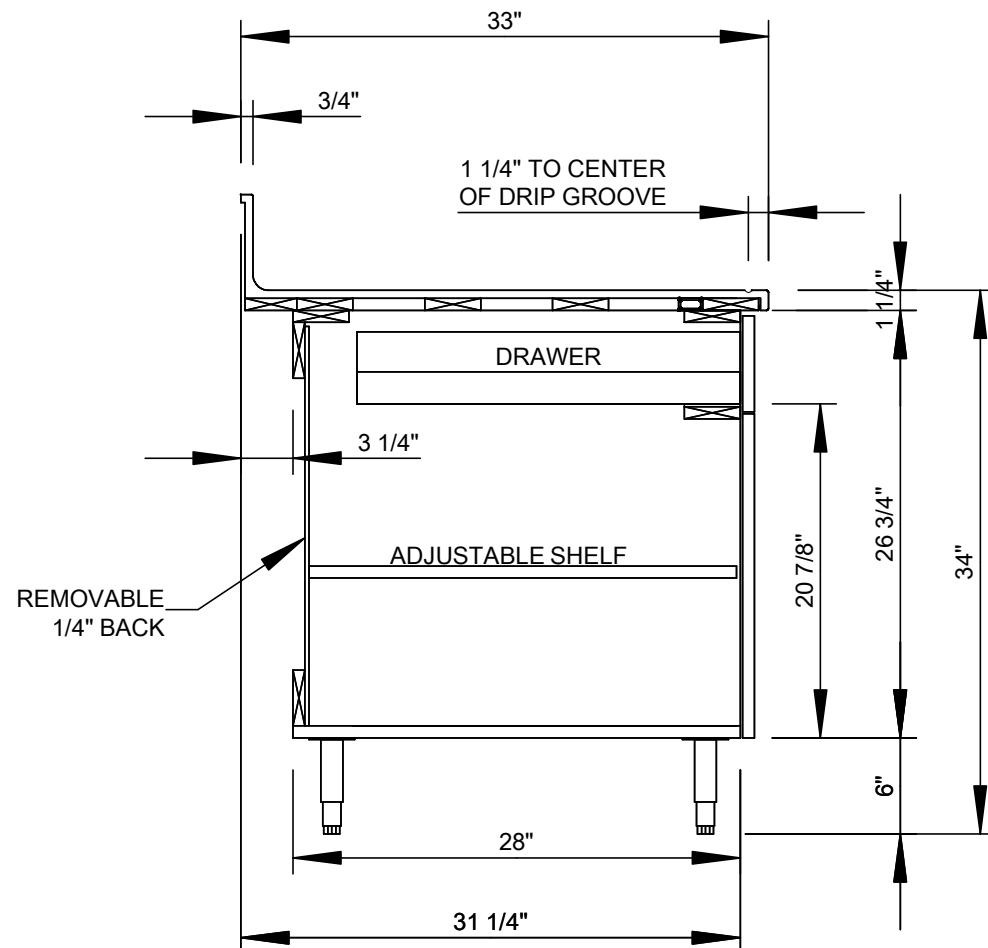
LEFT GLASS RACK - EAST ELEVATION



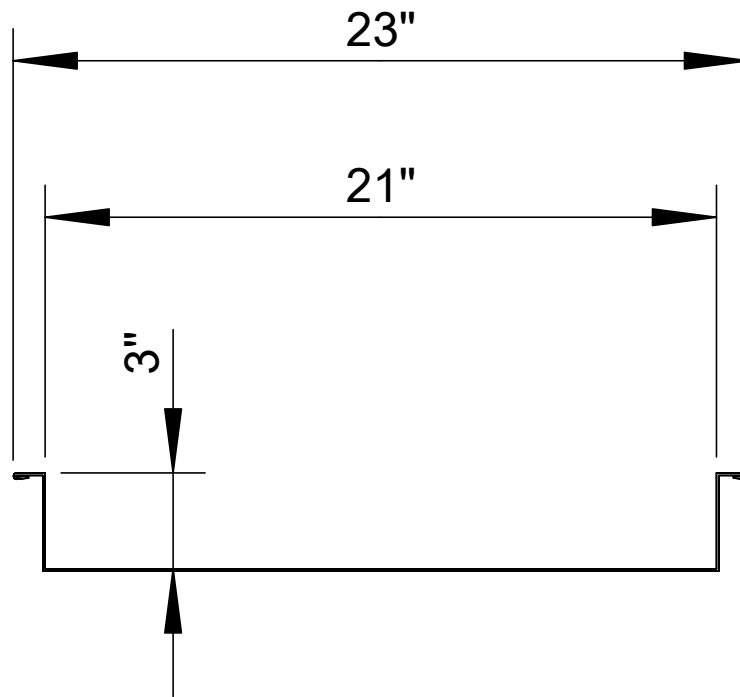
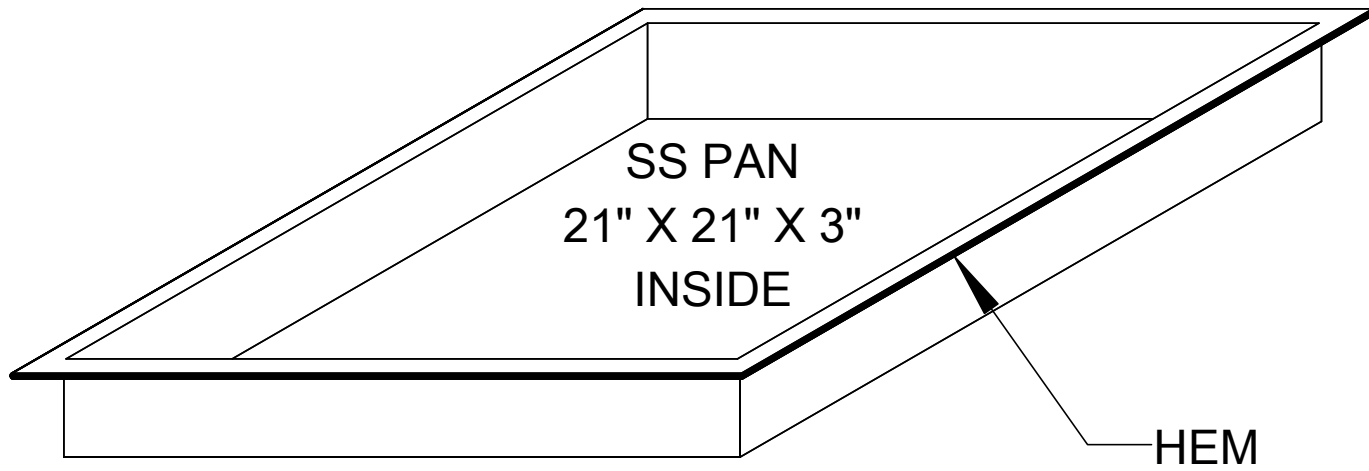
RIGHT GLASS RACK - EAST ELEVATION



UPPER CABINET



STORAGE - EAST ELEVATION



CROSS SECTION

Aqua Service Station - 2017

QUANTITY: (5)
14 GA SS PANS FOR
DISHWASHER RACKS

Larry Kelley 4-3-17 quote:
\$370 ea.